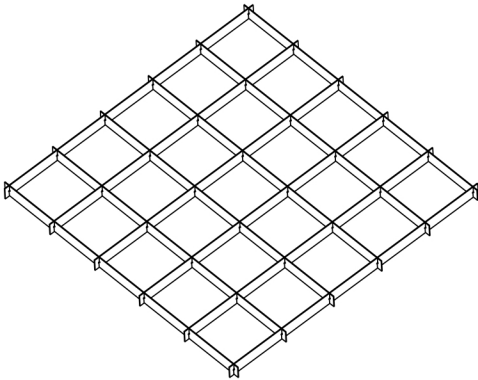


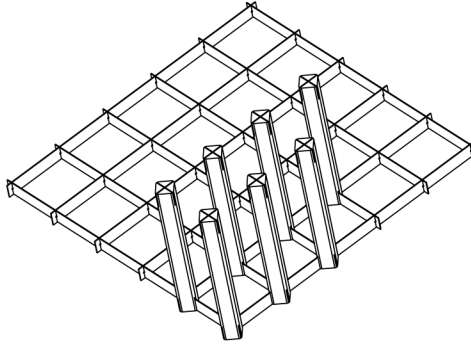
Wine Rack Instruction Manual

Step 1



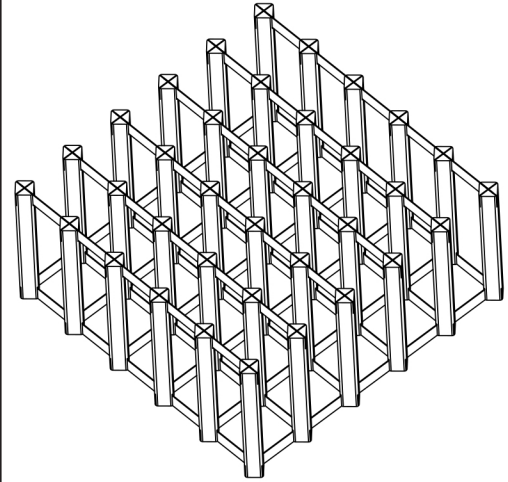
Assemble the bottom metal frame on a flat surface.

Step 2



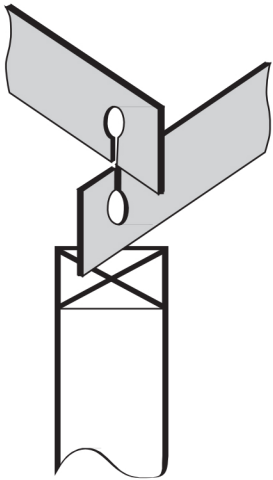
Line up and insert the wood rack pieces into the metal frame. Use a rubber mallet to install into the metal cross frame. Repeat until all wood rack pieces are installed.

Step 3

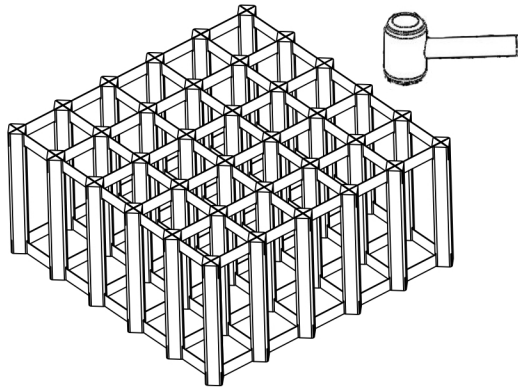


Very important! Insert one section of the metal frame only half way down into the wood pieces.

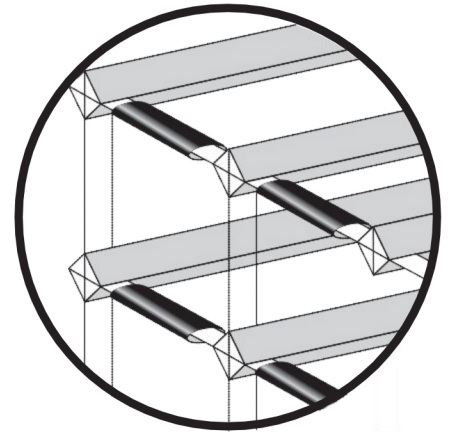
Step 4



Insert the second section of the metal frame into the first and using a rubber mallet complete the installation into the wood pieces.

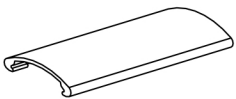


Step 5

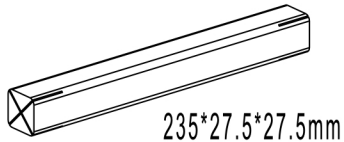


The bottle neck label protectors snap onto the front side of the metal frame as shown.

AX30

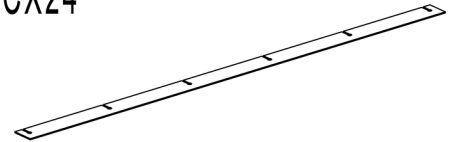


BX36



235*27.5*27.5mm

CX24



496*22.5*1mm

Parts Included:

- A Protectors x30 pcs
- B Wood slats x36 pcs
- C Metal pieces x24pcs